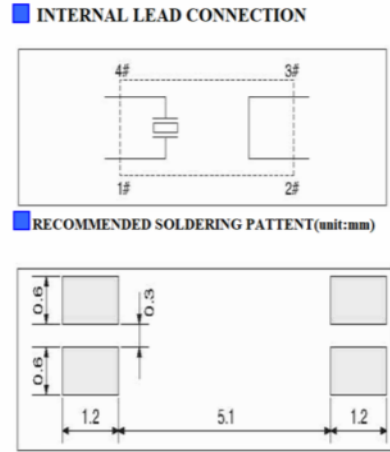
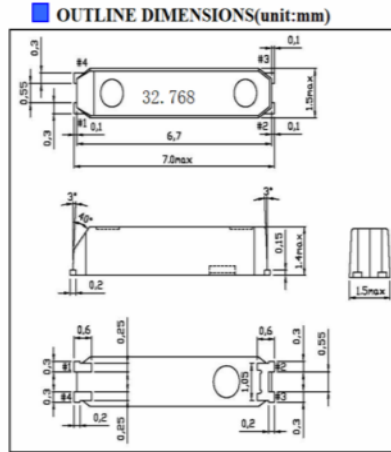


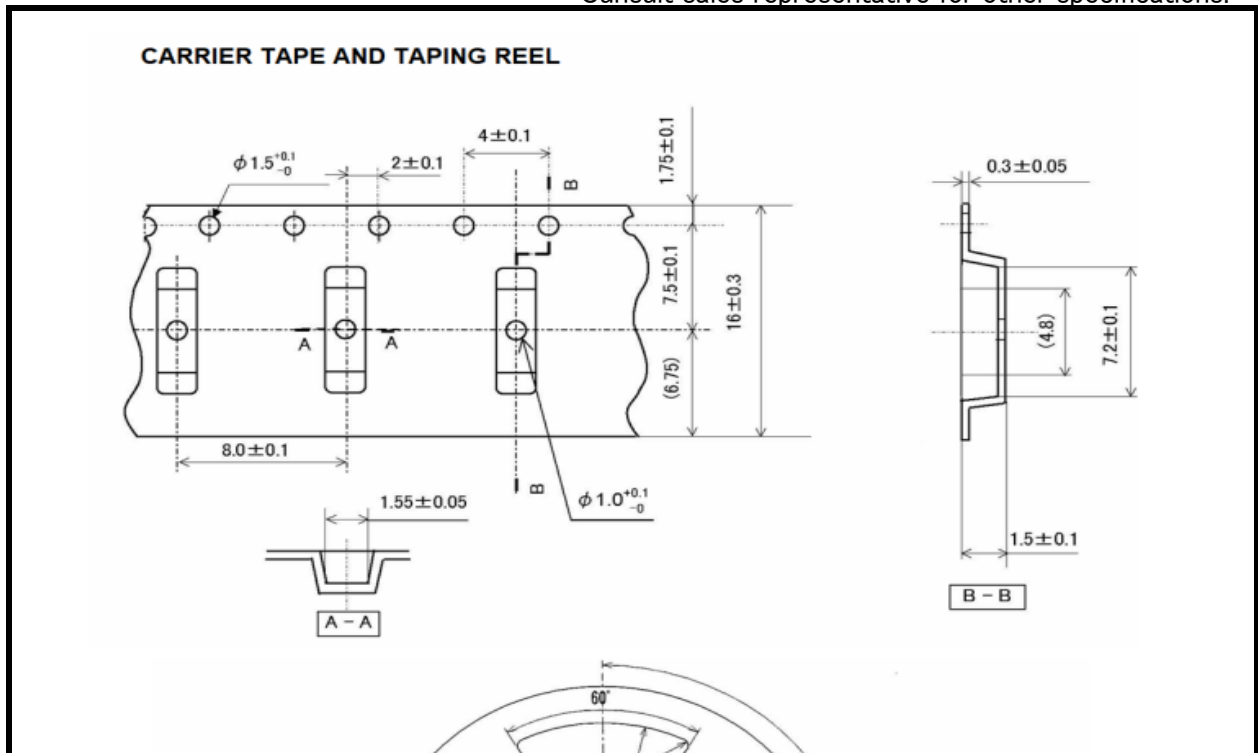
SMD KHz RANGE CRYSTAL UNIT

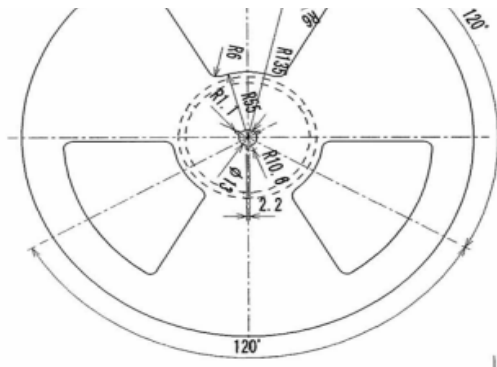


技術指標/SPECIFICATIONS

Item	Series	7015
Output type	Fundamental	
Frequency Range(F_0)	32.768KHZ	32K~100KHZ
Frequency Tolerance (at 25°C)	+/-25ppm +/-50ppm	+/-50ppm +/-100ppm
Operating Temperature Range(T_{OPR})	-20°C~+70°C	-40°C~+85°C or specify
Storage Temperature Range(T_{STG})	-55°C~+125°C	
Drive Level(DL)	typical 0.1uw, 1uw max	
Turnover temperature (T_i)	25°C ± 5°C	
Parabolic coefficient (B)	-0.04*10 ⁻⁶ /°C ² max	
Load capacitance (CL)	7pF,9pF,12.5pF or specify	
Motional resistance (ESR)	70KΩ max	
Motional capacitance (C1)	1.9 fF Typ.	2.5 fF ~ 0.6 fF
Shunt capacitance (C0)	0.8 pF Typ	1.2pF ~ 0.5 pF
Frequency aging (First Year)	3x10 ⁻⁶ / year Max.	5x10 ⁻⁶ / year Max.

Consult sales representative for other specifications.





18