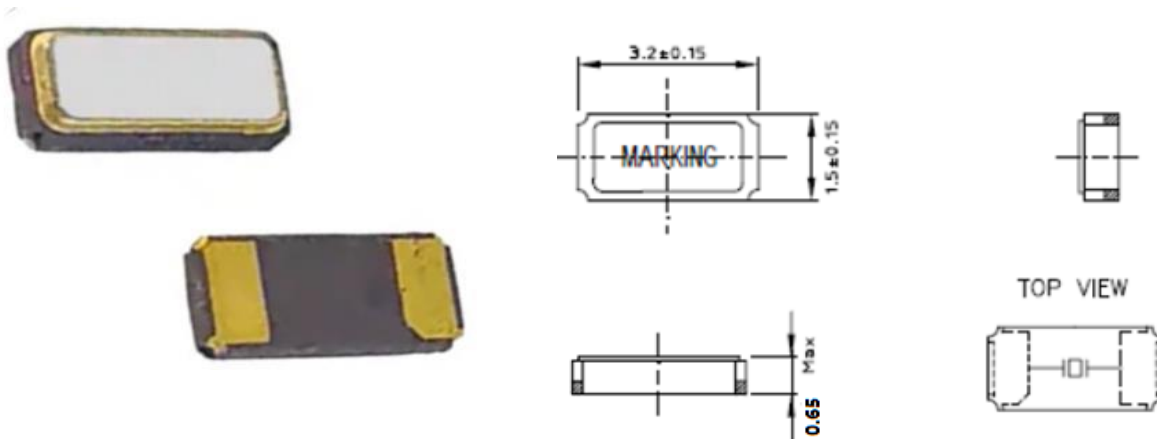


SMD KHZ RANGE CRYSTAL UNIT



技術指標/SPECIFICATIONS

Item	Series	3215
Output type		Fundamental
Frequency Range(F_0)		32.768KHZ
Frequency Tolerance (at 25°C)		+/-25ppm +/-50ppm
Operating Temperature Range(T_{OPR})		-40°C~+85°C -40°C~+105°C or specify
Storage Temperature Range(T_{STG})		-55°C~+125°C
Drive Level(DL)		typical 0.1uw, 1uw max
Turnover temprature (T_i)		25°C ±5°C
Parabolic coefficient (B)		-0.04*10 ⁻⁶ /°C ² max
Load capacitance (CL)		7pF,9pF,12.5pF or specify
Motional resistance (ESR)		65KΩ max
Motional capacitance (C1)		8.4 fF Typ.
Shunt capacitance (C0)		1.6 pF Typ
Frequency aging (First Year)		3x10 ⁻⁶ / year Max.

Consult sales representative for other specifications.

PACKING

